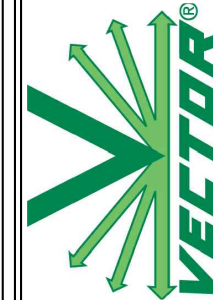


DRAWING REVISIONS

#	DATE	BY	DESCRIPTION
0	12/16/19	SY	SHOP DWG TEMPLATE



**GALVASHIELD ANODES
CORROSION PROTECTION
SHOP DRAWINGS**

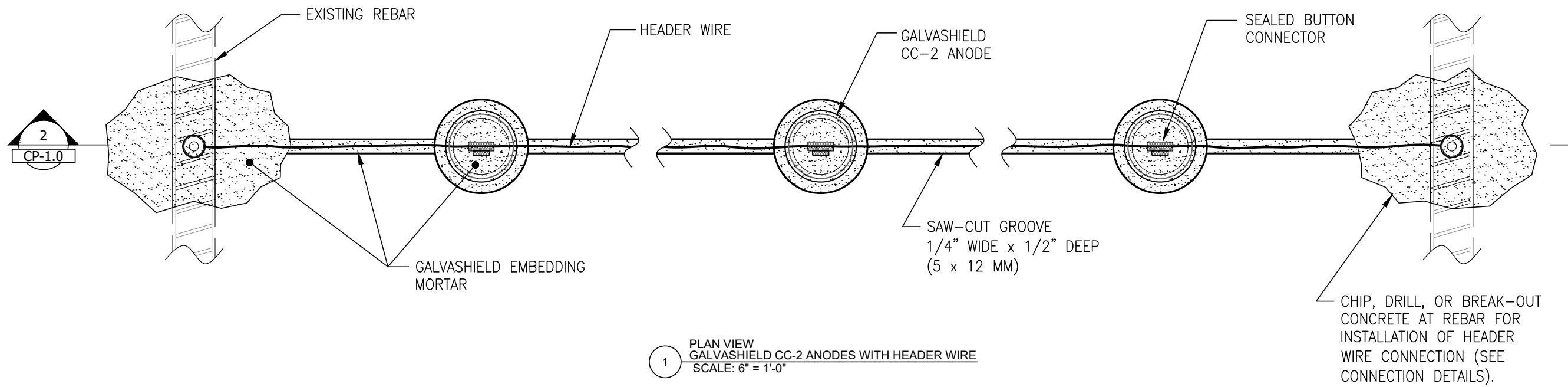
**GALVASHIELD CC-2
ANODE INSTALLATION
WITH HEADER WIRE**

VECTOR CORROSION TECHNOLOGIES
474B DOVERCOURT DRIVE, WINNIPEG, MB R3Y 1G4
PH: (204) 489-9611
WWW.VECTOR-CORROSION.COM

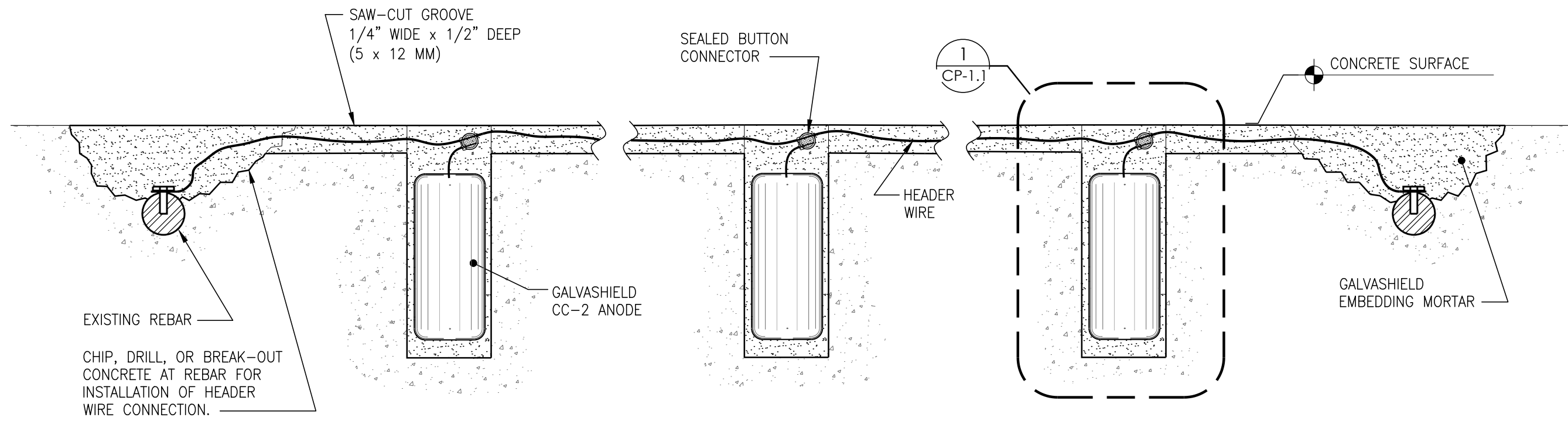
PROJECT NO.

DRAWING NO.

CP-1.0



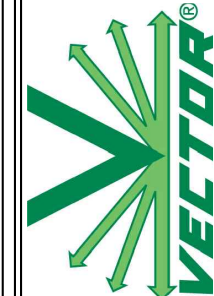
1 PLAN VIEW
GALVASHIELD CC-2 ANODES WITH HEADER WIRE
SCALE: 6" = 1'-0"



2 SECTION VIEW
GALVASHIELD CC-2 ANODES WITH HEADER WIRE
SCALE: 6" = 1'-0"

DRAWING REVISIONS

#	DATE	BY	DESCRIPTION
0	12/16/19	SY	SHOP DWG TEMPLATE



**GALVASHIELD ANODES
CORROSION PROTECTION
SHOP DRAWINGS**

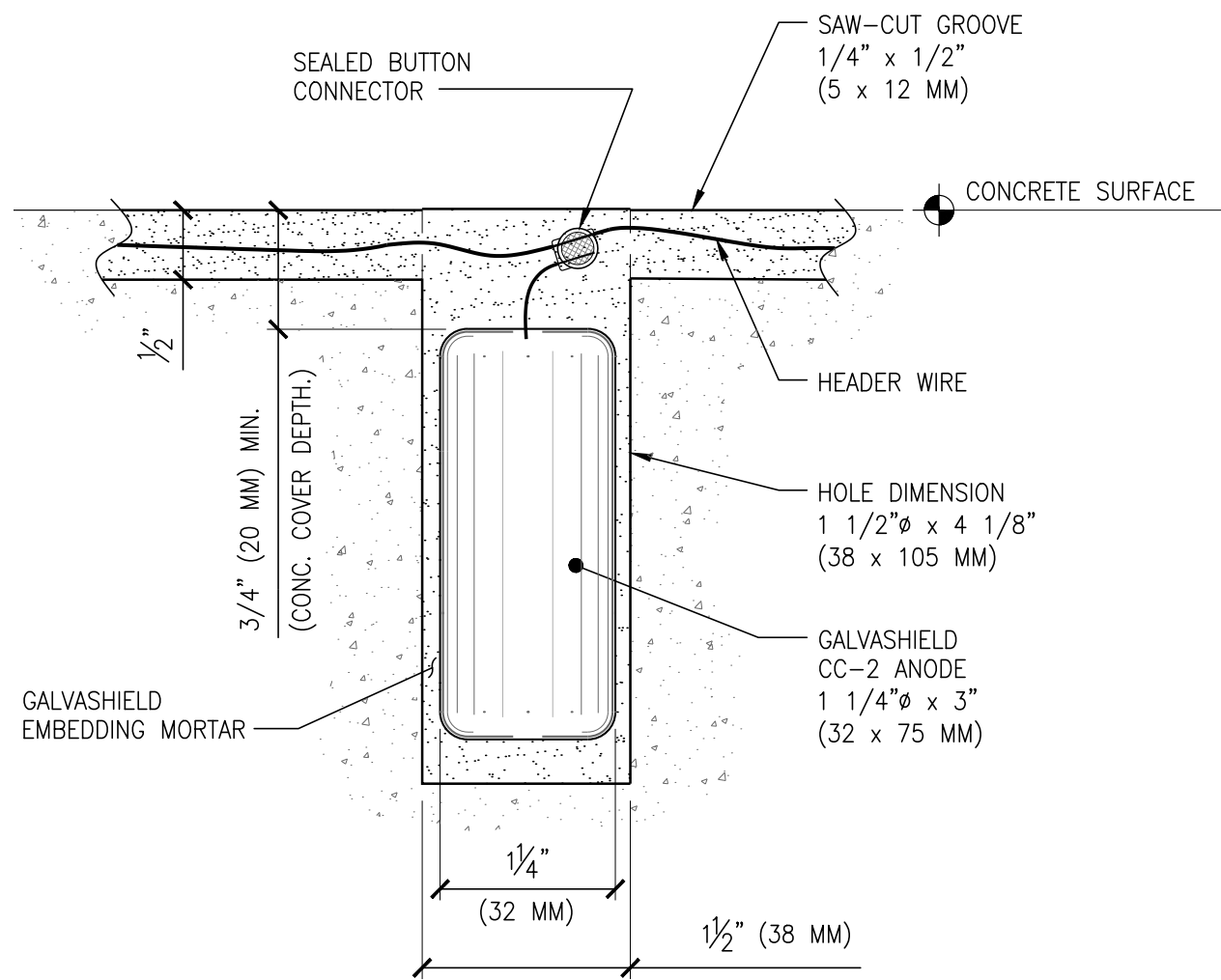
**GALVASHIELD CC-2
ANODE INSTALLATION
WITH HEADER WIRE**

VECTOR CORROSION
TECHNOLOGIES
474B DOVERCOURT
DRIVE, WINNIPEG, MB
R3Y 1G4
PH: (204) 489-9611
WWW.VECTOR-CORROSION.COM

PROJECT NO.

DRAWING NO.

CP-1.1



1 SECTION VIEW
GALVASHIELD CC-2 ANODE - INSTALLATION WITH HEADER WIRE
SCALE: 9" = 1'-0"

DRAWING REVISIONS			
#	DATE	BY	DESCRIPTION
0	12/16/19	SY	SHOP DWG TEMPLATE



**GALVASHIELD ANODES
CORROSION PROTECTION
SHOP DRAWINGS**

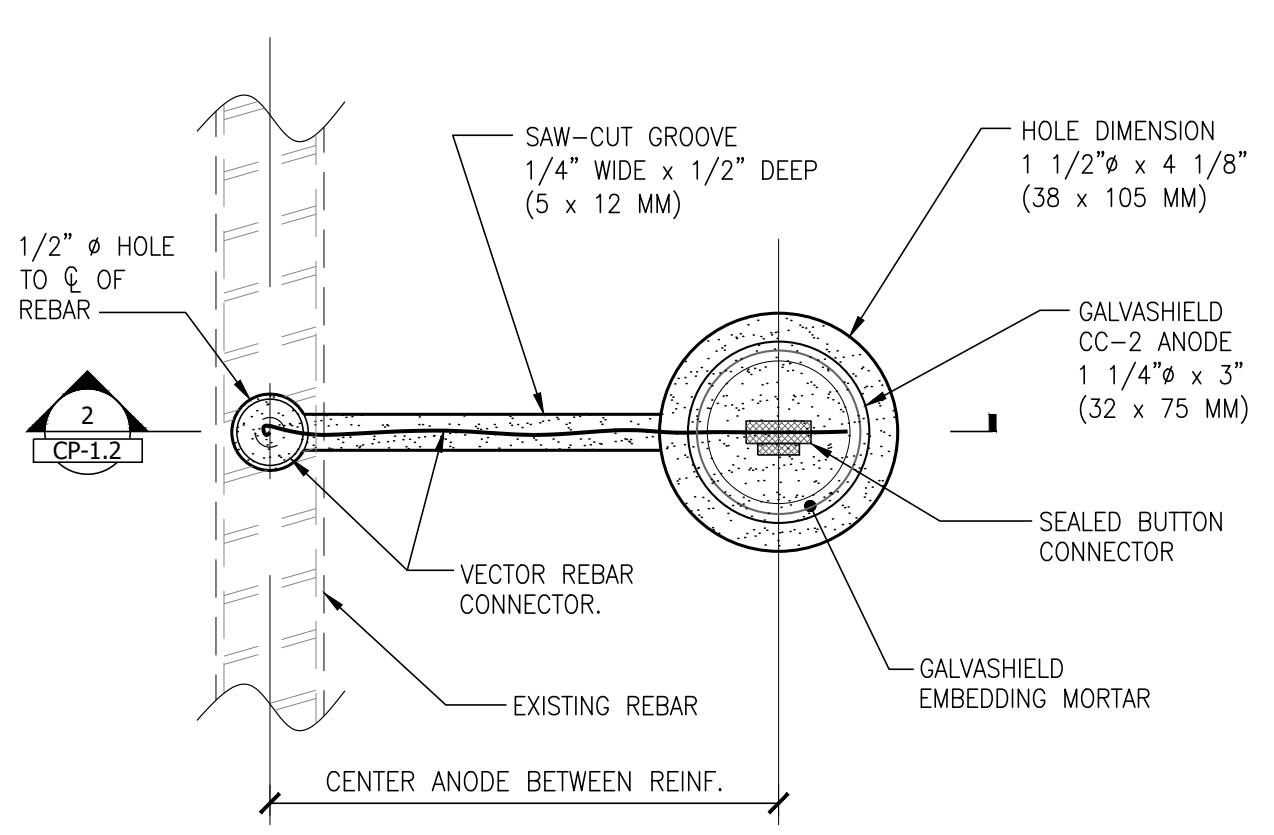
**GALVASHIELD CC-2
INSTALLATION WITH
DIRECT CONNECTION**

VECTOR CORROSION TECHNOLOGIES
474B DOVERCOURT DRIVE, WINNIPEG, MB R3Y 1G4
PH: (204) 489-9611
WWW.VECTOR-CORROSION.COM

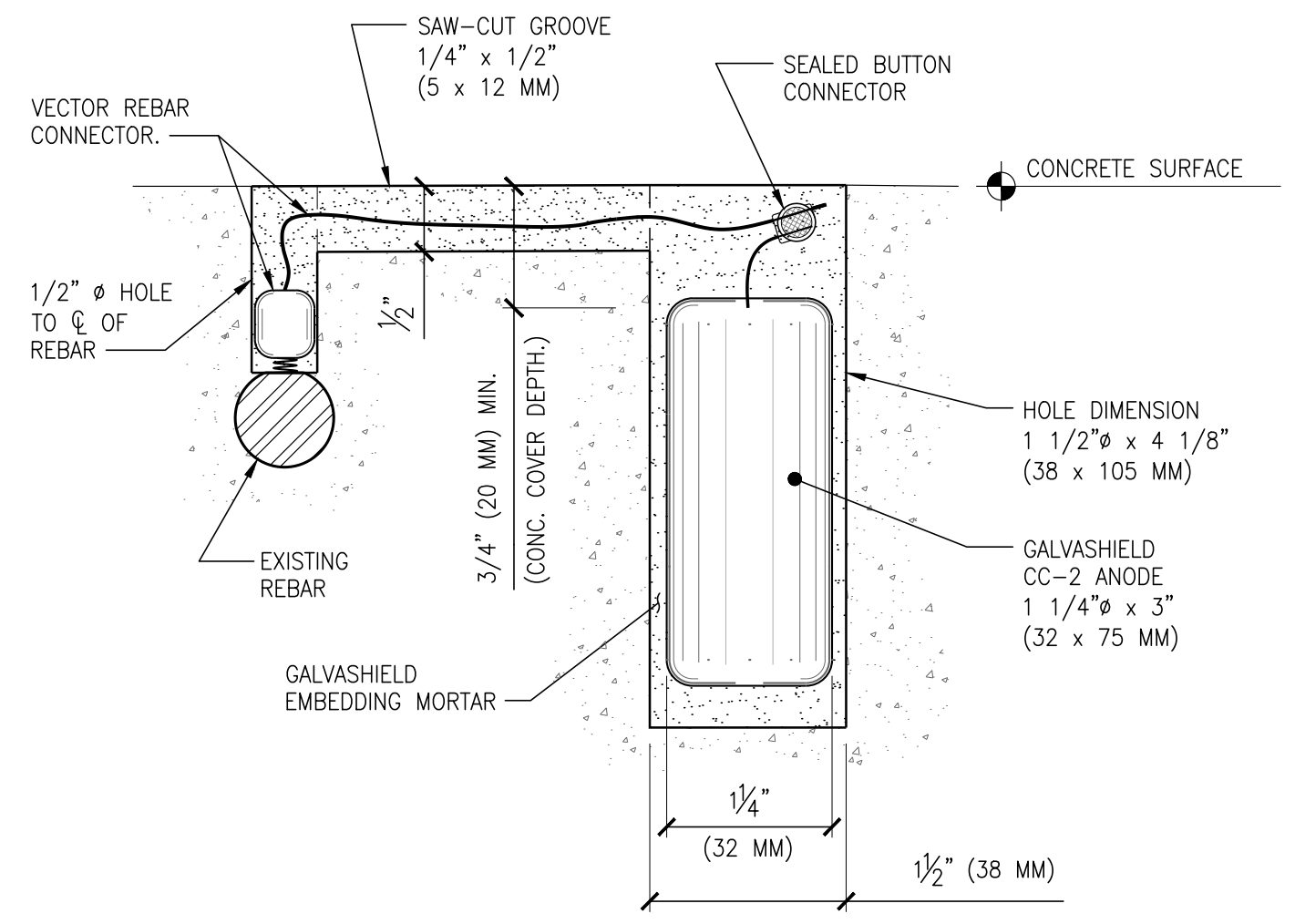
PROJECT NO.

DRAWING NO.

CP-1.2



1 PLAN VIEW
GALVASHIELD CC-2 ANODE - DIRECT CONNECTION
SCALE: 9" = 1'-0"



2 SECTION VIEW
GALVASHIELD CC-2 ANODE - DIRECT CONNECTION
SCALE: 9" = 1'-0"

DRAWING REVISIONS

#	DATE	BY	DESCRIPTION
0	12/16/19	SY	SHOP DWG TEMPLATE



**GALVASHIELD ANODES
CORROSION PROTECTION
SHOP DRAWINGS**

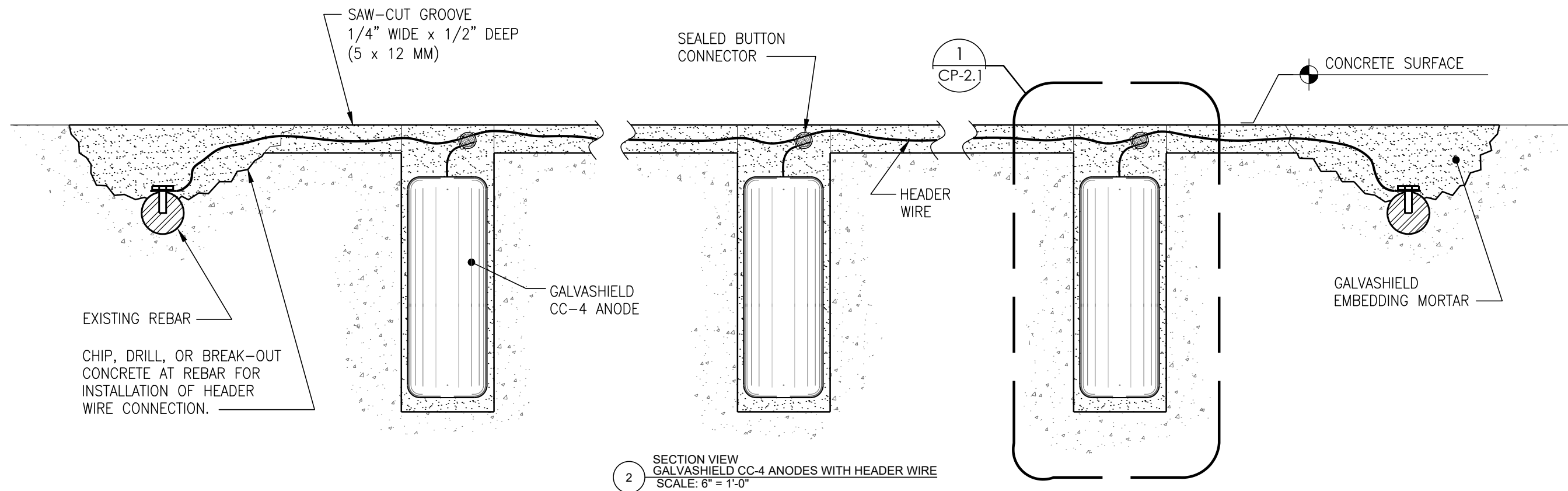
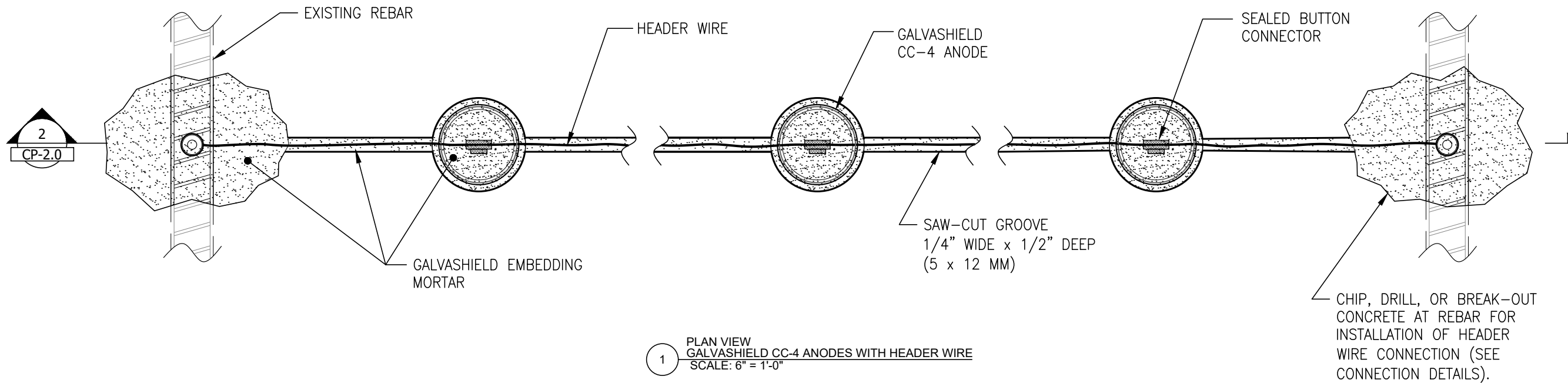
**GALVASHIELD CC-4
ANODE INSTALLATION
WITH HEADER WIRE**

VECTOR CORROSION TECHNOLOGIES
4748 DOVERCOURT DRIVE, WINNIPEG, MB R3Y 1G4
PH: (204) 489-9611
WWW.VECTOR-CORROSION.COM

PROJECT NO.

DRAWING NO.

CP-2.0



DRAWING REVISIONS

#	DATE	BY	DESCRIPTION
0	12/16/19	SY	SHOP DWG TEMPLATE



**GALVASHIELD ANODES
CORROSION PROTECTION
SHOP DRAWINGS**

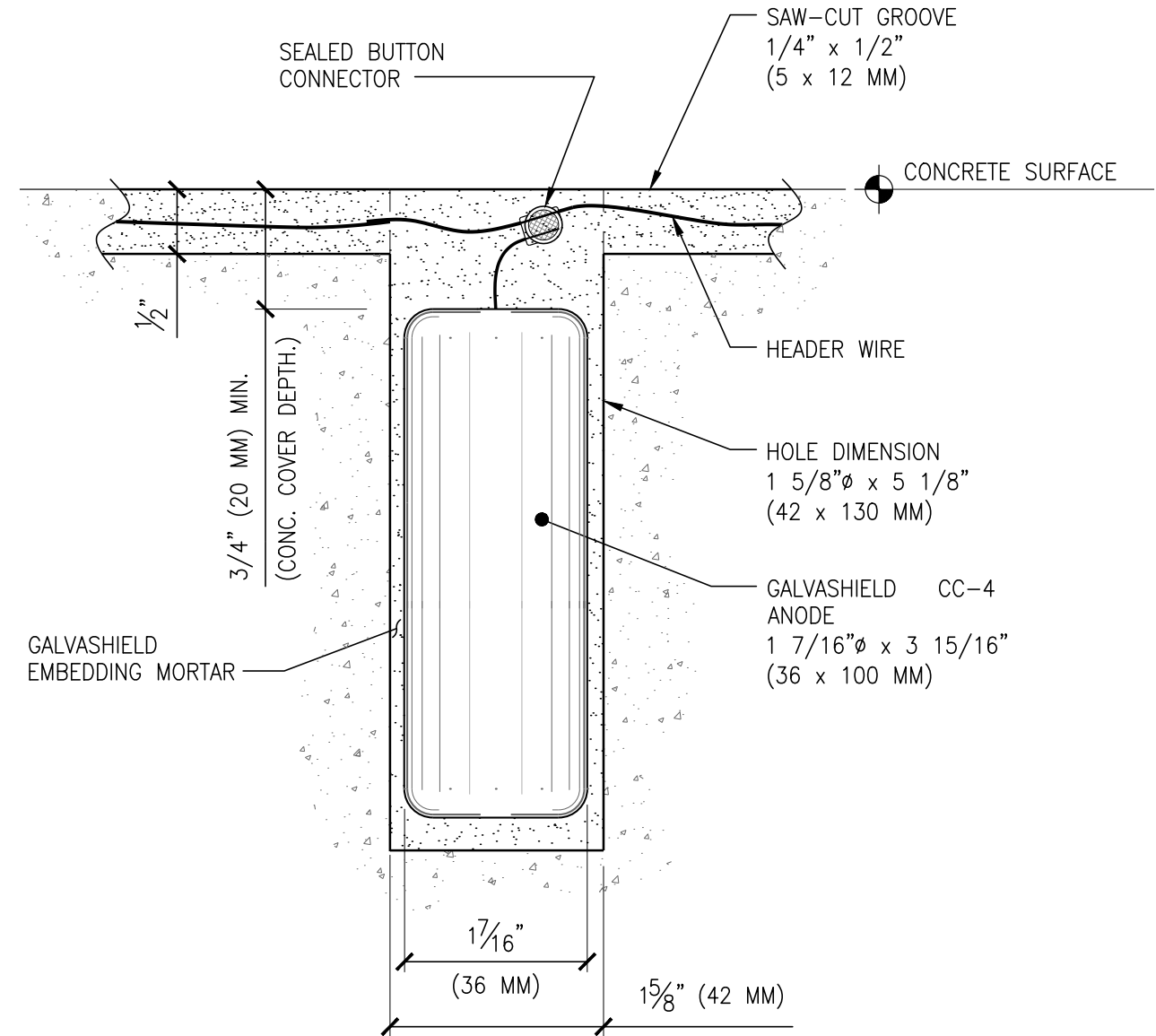
**GALVASHIELD CC-4
ANODE INSTALLATION
WITH HEADER WIRE**

VECTOR CORROSION
TECHNOLOGIES
474B DOVERCOURT
DRIVE, WINNIPEG, MB
R3Y 1G4
PH: (204) 489-9611
WWW.VECTOR-CORROSION.COM

PROJECT NO.

DRAWING NO.

CP-2.1



1 SECTION VIEW
GALVASHIELD CC-4 ANODE - INSTALLATION WITH HEADER WIRE
SCALE: 9" = 1'-0"

DRAWING REVISIONS

#	DATE	BY	DESCRIPTION
0	12/16/19	SY	SHOP DWG TEMPLATE



**GALVASHIELD ANODES
CORROSION PROTECTION
SHOP DRAWINGS**

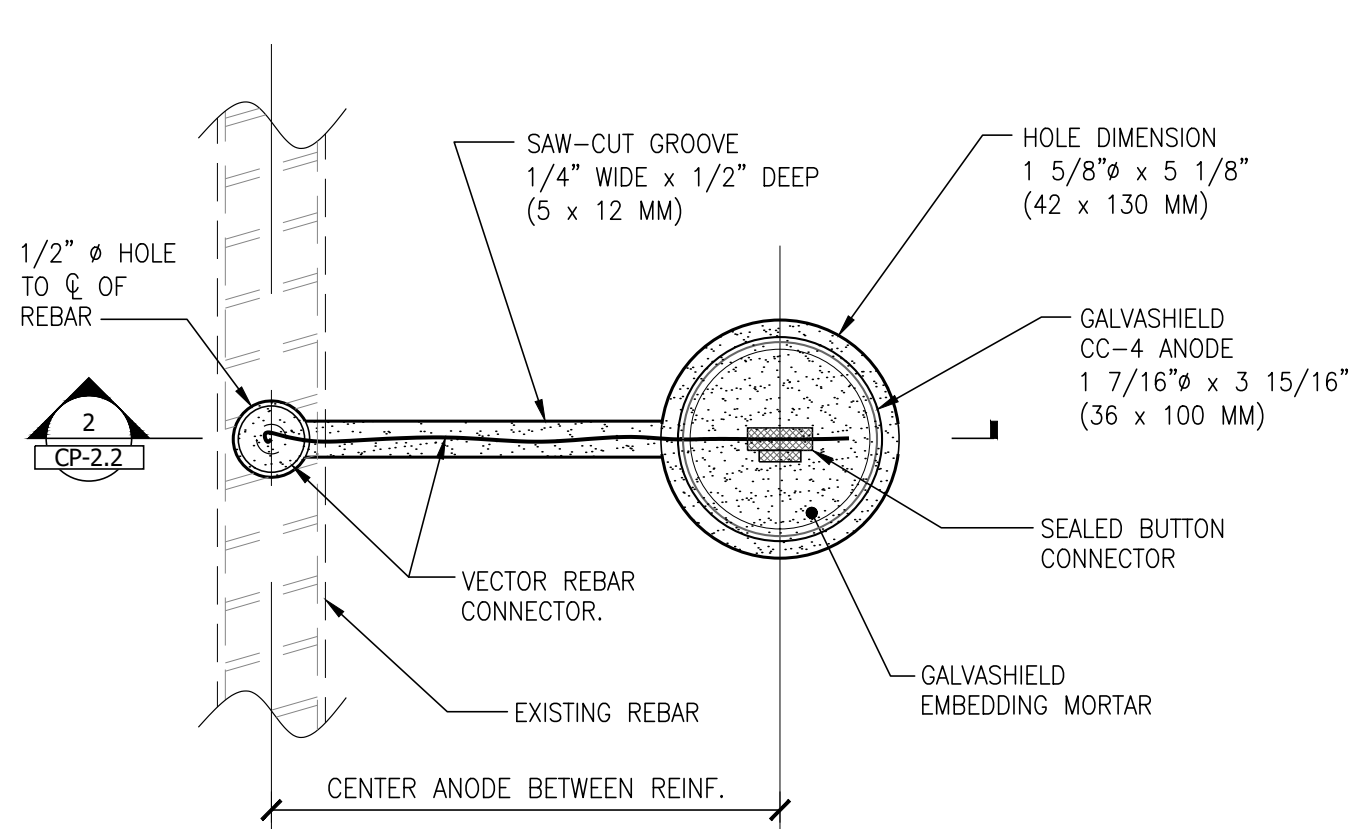
**GALVASHIELD CC-4
INSTALLATION WITH
DIRECT CONNECTION**

VECTOR CORROSION TECHNOLOGIES
474B DOVERCOURT DRIVE, WINNIPEG, MB R3Y 1G4
PH: (204) 489-9611
WWW.VECTOR-CORROSION.COM

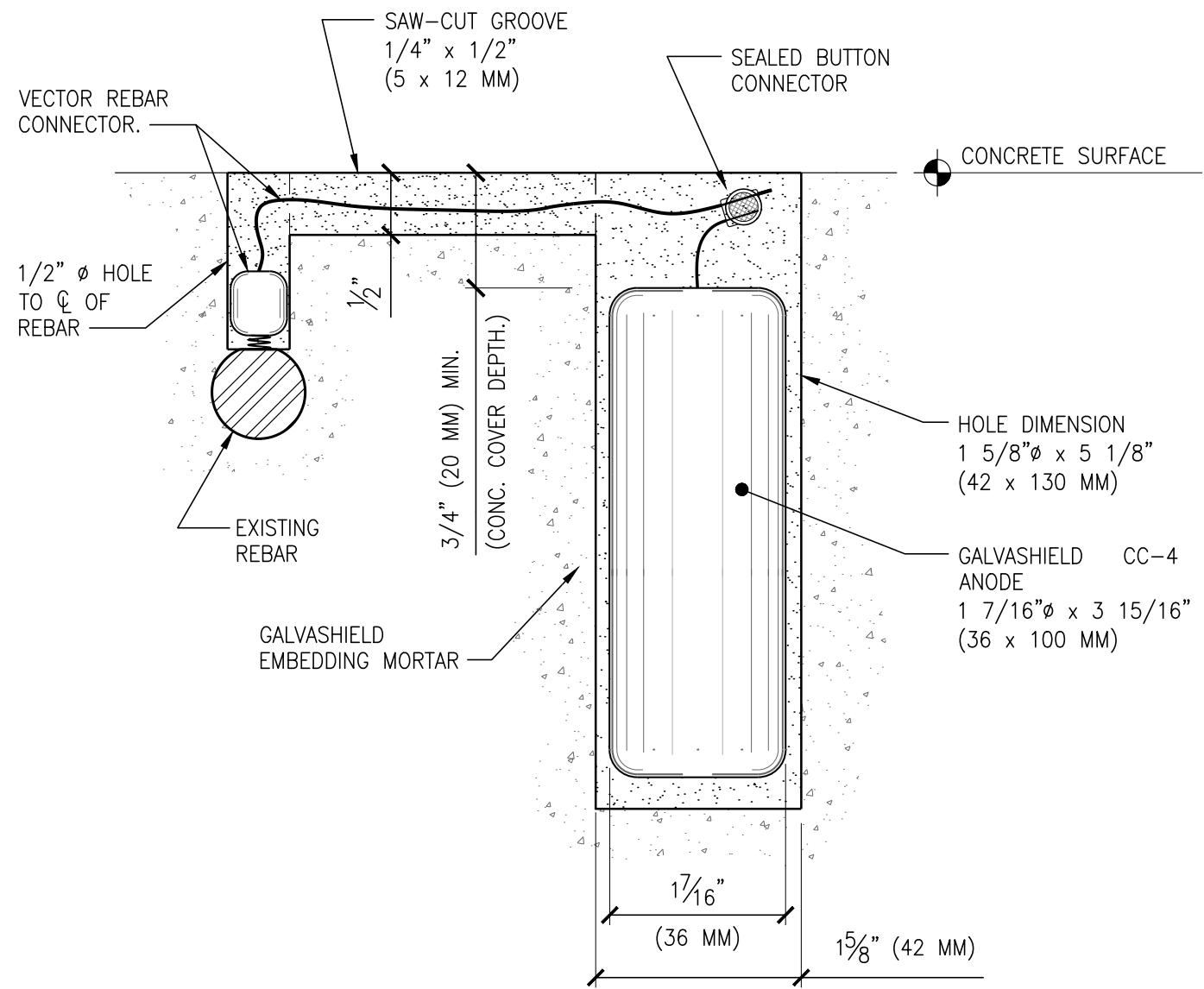
PROJECT NO.

DRAWING NO.

CP-2.2



1 PLAN VIEW GALVASHIELD CC-4 ANODE - DIRECT CONNECTION SCALE: 9" = 1'-0"



2 SECTION VIEW GALVASHIELD CC-4 ANODE - DIRECT CONNECTION SCALE: 9" = 1'-0"